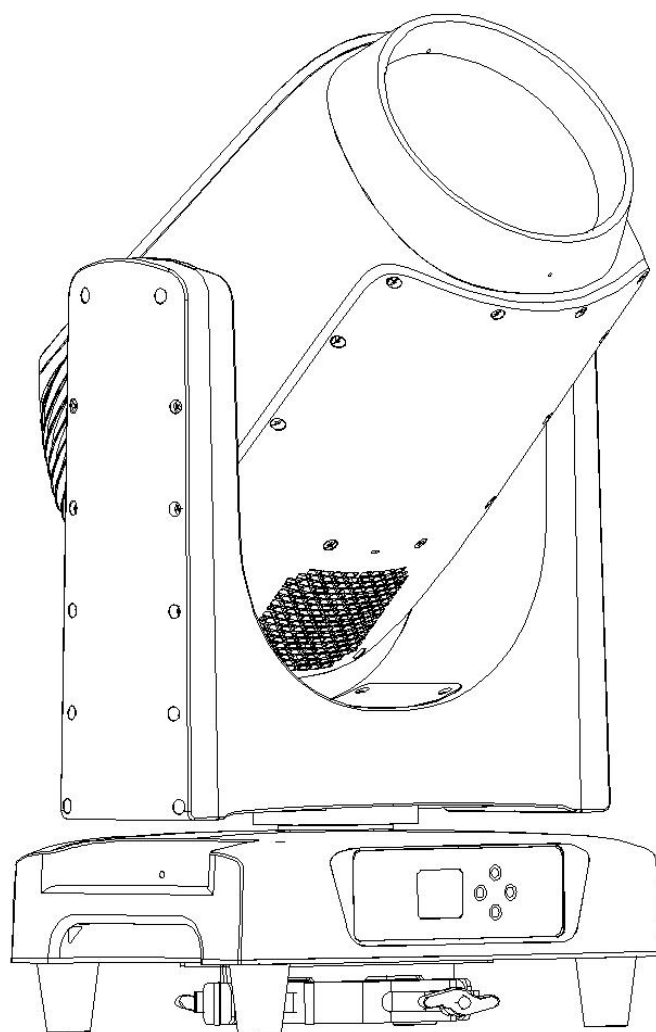


LASER BEAM 300 IP



USER MANUAL

KEEP THIS USER MANUAL FOR FUTURE NEEDS

Thank you for your patronage!

We are confident that our excellent products and service can satisfy you.

For your own safety, please read this user manual carefully before installing the device.

In order to install, operate, and maintain the lighting safety correctly.

We suggest that the installation and operation should be done by the verified technician and follow the instruction strictly.



CAUTION!

Keep this device away from rain and moisture!



CAUTION!

Unplug mains lead before device's installation, cleaning and maintenance!

Every person involved with the installation, operation and maintenance of this device has to:

-be qualified

-follow carefully the instructions of this manual

INTRODUCTION

Thank you for having chosen this professional moving head.

You will see you have acquired a powerful and versatile device.

Unpack the device. Inside the carton box you should find:

1. One power in cable
2. One 3 Pin DMX cable(5 Pin optional)
3. Two mounted brackets
4. One safety rope
5. One English user manual

(Flight case, Clamps/Folding clamp are optional, please contact your dealer)

Please check carefully that there is no damage caused by transportation. Should there be any questions, please consult your dealer and don't install this device.

GENERAL GUIDELINES

This device is a lighting effect for a professional use on stages, TV, in discotheques, theaters, etc., The device was designed for indoor use only.

This fixture is only allowed to be operated with the max alternating current which stated in the technical specifications in 6th page of this manual.

Lighting effects are not designed for permanent operation. Consistent operation breaks may ensure that the device will serve you for a long time without defects.

Do not shake the device. Avoid brute force when installing or operating the device.

While choosing the installation-spot, please make sure that the device is not exposed to extreme heat, moisture or dust. Please don't project the beam onto combustible substances. The minimum distance between light-output from the projector and the illuminated surface must be more than 0,5 meter.

If you use the quick lock cam in hanging up the fixture, please make sure the quick lock fasteners turned in the quick lock holes correctly.

Operate the device only after having familiarized with its functions. Do not permit operation by persons not qualified for operating the device. Most damages are the result of unprofessional operation.

Please use the original packaging if the device is to be transported.

For safety reasons, please be aware that all modifications on the device are forbidden. If this device will be operated in any way different to the one described in this manual, the product may suffer damages and the guarantee becomes void. Furthermore, any other operation may lead to short-circuit, burns, electric shock, crash, etc.

SAFETY INSTRUCTIONS



CAUTION!

Be careful with your operations. With a dangerous voltage you can suffer a dangerous electric shock when touching wires!

This device has left the factory in perfect condition. In order to maintain this condition and to ensure a safe operation, it is absolutely necessary for the user to follow the safety instructions and warning notes written in this user manual.

1. In order to guarantee the product's life, please don't put it in the damp places or even the environment over 60degrees.
2. Always mount this unit in safe and stable matter.

The qualified professionals are allowed to carry out the lamp installation, operation and maintenance, but they must guarantee to operate in strict accordance with the instructions referred to.

▲ Important:

Damages caused by the disregard of this user manual are not subject to warranty.

The dealer will not accept liability for any resulting defects or problems.

If the device has been exposed to temperature changes due to environmental changes, do not switch it on immediately. The arising condensation could damage the device. Leave the device switched off until it has reached room temperatures.

This device falls under protection-class I . Therefore it is essential that the device be earthed.

The electric connection must carry out by qualified person.

Make sure the power cord is never crimped or damaged by sharp edges. If this would be the case, replacement of the cable must be done by an authorized dealer.

Always disconnect from the mains, when the device is not in use or before cleaning it. Only handle the power cord by the plug. Never pull out the plug by tugging the power cord.

During initial start-up some smoke or smell may arise. This is a normal process and does not necessarily mean that the device is defective, it should decrease gradually.

Please don't project the beam onto combustible substances.

If the external flexible cable or cord of this luminaire is damaged, it shall be exclusively replaced by the manufacturer or his service agent or a similar qualified person in order to avoid a hazard.

**CAUTION!**

Never touch the device during operation!
The housing may heat up!

**CAUTION!**

Never look directly into the light source,
As sensitive persons may suffer an epileptic shock.

Please be aware that damages caused by manual modifications to be the device are not subject to warranty. Keep away from children and non-professionals.

CLEANING AND MAINTENANCE

1. To reduce the risk of electrical shock or fire, do not expose this unit to rain or moisture.
2. Do not spill water or other liquids into or on to your unit.
3. During long periods of non-use, disconnect the unit's main power.
4. It should be installed in a well-ventilated place, at a distance of 50 centimeters or more with the walls. At the same time, please check if the fan and ventilation holes are unobstructed.

The following points have to be considered during the inspection

- 1) All screws for installing the devices or parts of the device have to be tightly connected and must not be corroded.
- 2) There must not be any deformations on the housing. Fixations and installations spots(ceiling, suspension, trussing).
- 3) Mechanically moved parts must not show any traces of wearing and must not rotate with unbalances.
- 4) The electric power supply cables must not show any damage, material fatigue or sediments. Further instructions depending on the installation spot and usage have to be adhered by a skilled installer and any safety problems have to be removed.

**CAUTION!**

Disconnect from mains before starting maintenance operation!

In order to make the lights in good condition and extend the life time, we suggest a regular cleaning to the lights.

- 1) Clean the inside and outside lens each week to avoid the weakness of the lights due to accumulation of dust.
- 2) Clean the fan each week.
- 3) A detailed electric check by approved electrical engineer each three month, make sure that the circuit contacts are in good condition, prevent the poor contact of circuit from overheating.

We recommend a frequent cleaning of the device. Please use a moist, lint-free cloth. Never use alcohol or solvents !

FEATURES

Laser Beam 300 IP is an exceptional new designing luminaire of next generation. It pushes all the limits when it comes to beam definition, with native contrast never before achieved by a laser light source. It also adopts Carbon fiber and Aeronautical materials as its body appearance, and particularly style of waterproof rated IP66 with high temperature resistance of up to 180°C and corrosion. Continuous rotation of infinite Pan movement. Laser Beam 300 IP well developed to enable the fixture remaining easily accessible and limited in weight of 20kg. Making this luminaire a universal tool capable of meeting any challenge in all conditions.

SPECIFICATION

POWER SUPPLY

Voltage: AC100-240V 50 / 60Hz

LIGHT SOURCE

Light source: 300W white laser light source

Consumed power: 400W

Light source life: 30,000 hours

Luminous flux: 12000lm

Light source color temperature: 7000K

CRI: greater than 64

Laser illumination: 430000 lux/20 meters

OPTIC

Beam angle: 0.72 degree

Aperture of exit lens: ϕ 168mm

EFFECT

Color: 1 color wheel, 14 colors + white, bi-direction rotating rainbow effect

Gobo: 1 fixed gobo wheel, 19 gobos + white, can share in both directions

Prism: 8 prism, honeycomb prism, multiple prism macro combination effects

Soft light effect: adjustable independent soft light effect

Focusing: electric focusing

Strobe: 1-25 times/second adjustable pulse flicker and random flicker

Dimming: 0-100% linear adjustment

MOVEMENT

Movement: Pan infinite movement, 16 Bit fine adjustment

Tilt 270 degrees, 16 Bit fine adjustment

Pan/Tilt scanning speed: standard and adjustable speed

Pan/Tilt scanning system: Pan/Tilt can automatically correct and calibrate

CONTROL

Channel mode: standard 16CH

Control: DMX 512 RDM bidirection data transmission, console can remotely reset DMX address code

Intelligent control: menu can record device usage time and fixture time, display device temperature, channel data and software version information.

BODY

Display: 1.7-inch LCD display screen with touch button

Carbon fiber and Aeronautical materials

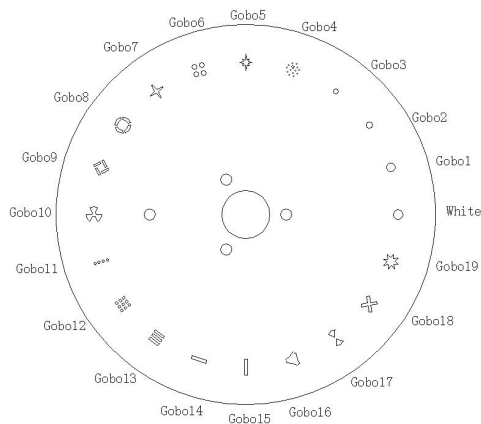
Seetronic Powercon True1 & XRL

Protection level: IP66

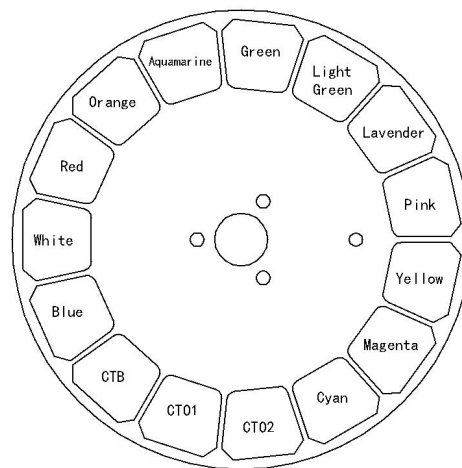
Carton dimensions: 60*54*46cm

Net weight: 20Kg

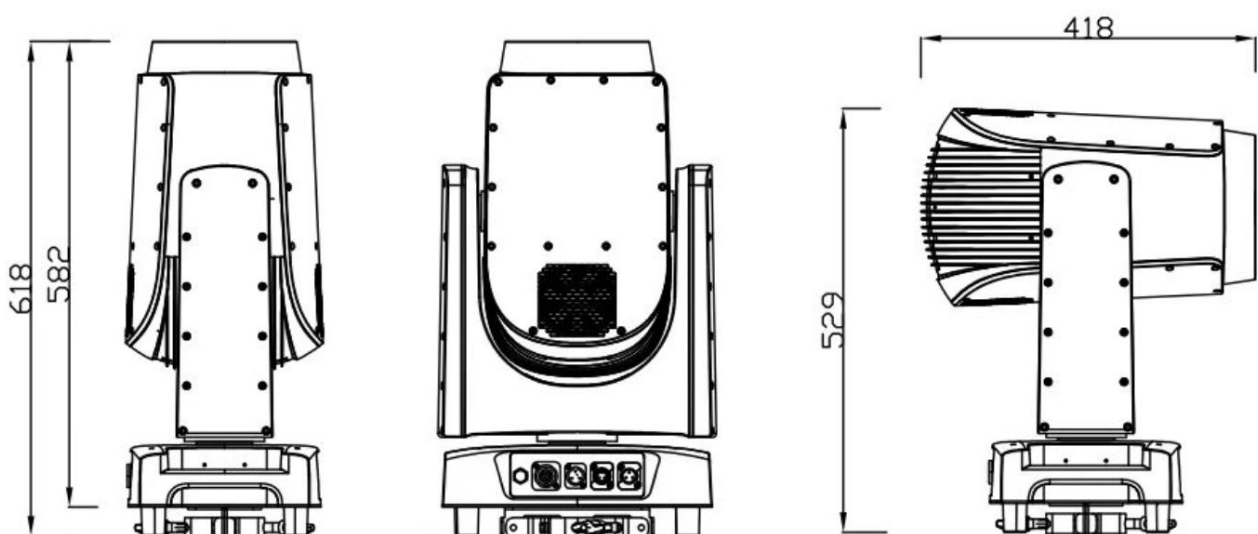
GOBO



COLOR



FIXTURE SIZE



INSTALLATION

WARNING:

When hanging fixtures, additional safety rope must be installed to prevent the failure of fixture hook, Safety rope must be attached to the mounting position of the safety rope, and must not be installed on the handling handle

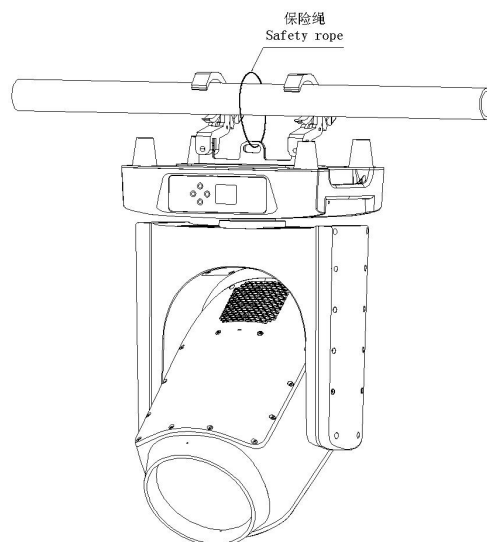


When the fixture is not placed steadily, the movement of the fixture head may drive the movement of the base, therefore, do not start the fixture without confirming the stable placement or hanging of the fixture.



Do not hang the side installation and use of fixtures!

Cover the lens or turn the direction to avoid direct sunlight into the lens, because the camera can focus on sunlight as a potential fire danger.



1. Confirm that the hanging fixture hook and accessories are not damaged and can withstand 10 times the total weight of the fixtures, cables and accessories,
2. For installation, maintenance and moving fixtures, stable platform shall be provided with safety fence
3. Tie the safety rope through the hole in the fixture base to the fixture holder, not to the handle
4. Check that there is no combustible material within 0.5 meters of the fixture shell, do not be blocked within 10 meters of the fixture column, and no flammable substances nearby
5. Check lights fixture are impossible to collide with each other during motion
6. Check that the other fixture has not directly illuminate on the fixture, the strong light will damage the protective shell of the fixture
7. Make sure the installation surface is horizontal so as to avoid sliding of the fixture

WARNING:



To prevent electric shock, the fixture must be grounded, and the main power supply must have a safe and open circuit switch and ground protection



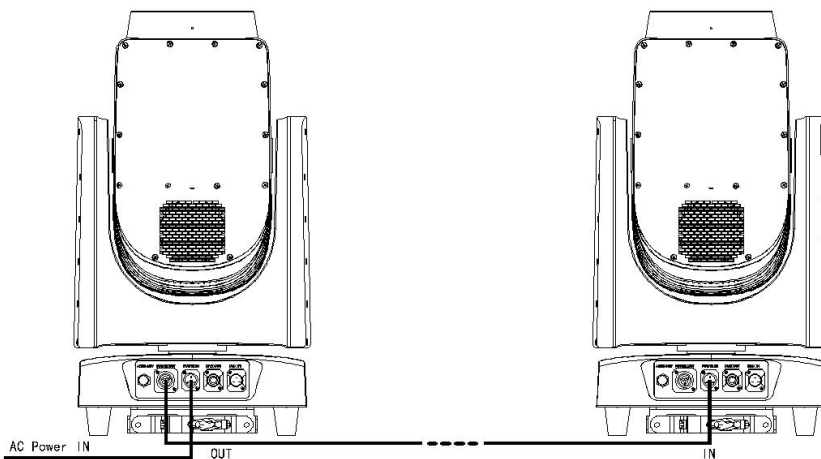
Please connect the fixture directly to AC power supply, not the silicon box to avoid damage fixtures



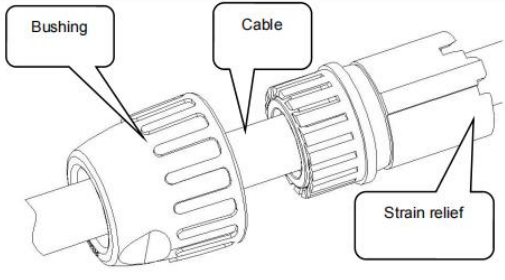
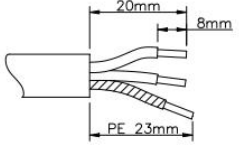
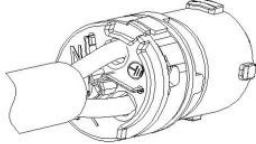
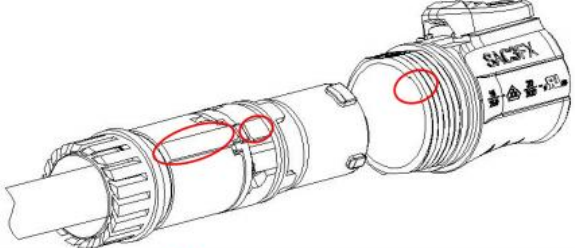
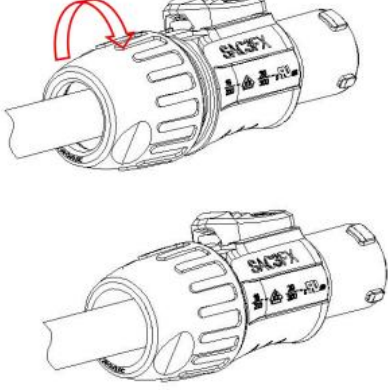
When the power supply of the fixtures is connected in series, the maximum current of the power supply seat shall not be greater than 16A

POWER

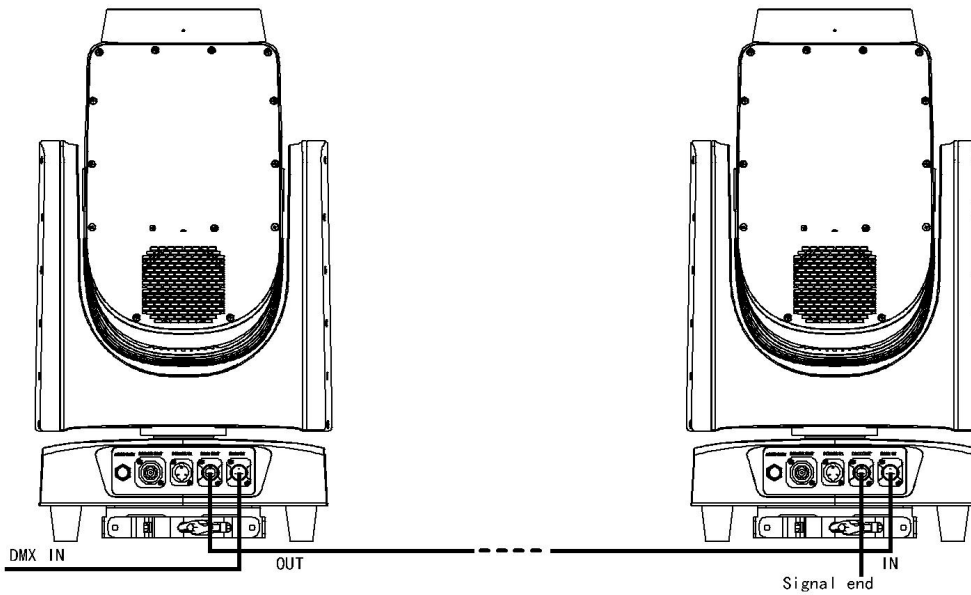
A plug matching with the fixture power interface has been installed on one end of the power cord, and a suitable power plug with grounding shall be installed on the other end. The installation must follow the manufacturers instructions. The table below gives some tips for plug and pin connections. If not sure or questionable, consult a qualified electrician.



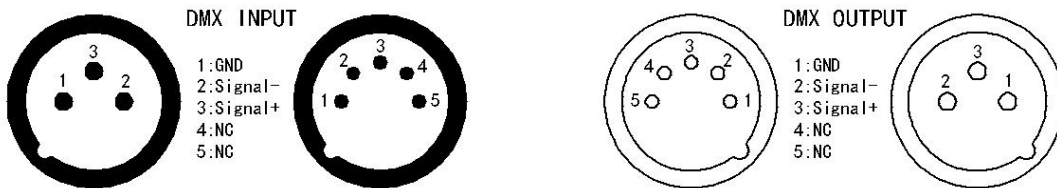
AC100V The power cord can connect up to 4 fixtures in series
AC220V The power cord can connect up to 8 fixtures in series

<p>(1) Put the cable through the bushing and strain relief</p>													
<p>(2) Strip the cable in the size as shown</p>													
<p>(3) Insert the conductor of the cable into the terminal of the inner core (refer to the wiring method on the right) and then lock with a torque of 0.7 Nm.</p>	<table border="1" data-bbox="794 808 1377 952"> <thead> <tr> <th>Wiring</th> <th>VDE</th> <th>UL</th> </tr> </thead> <tbody> <tr> <td>L</td> <td>Brown</td> <td>Black</td> </tr> <tr> <td>N</td> <td>Blue</td> <td>White</td> </tr> <tr> <td>Ground</td> <td>Green/Yellow</td> <td>Green</td> </tr> </tbody> </table> 	Wiring	VDE	UL	L	Brown	Black	N	Blue	White	Ground	Green/Yellow	Green
Wiring	VDE	UL											
L	Brown	Black											
N	Blue	White											
Ground	Green/Yellow	Green											
<p>(4) Push the inner core component into the housing with the strain relief. The protruding rib of strain relief should correspond to the protruding rib of inner core component. And the two protruding ribs should correspond to the two grooves inside the housing.</p>													
<p>(5) After the assembly of the strain relief, inner core component and housing, tighten the bushing in a clockwise direction with a torque of 2.0 Nm.</p>													

SIGNAL



DMX signal via XLR Cannon insert, defined as follows:

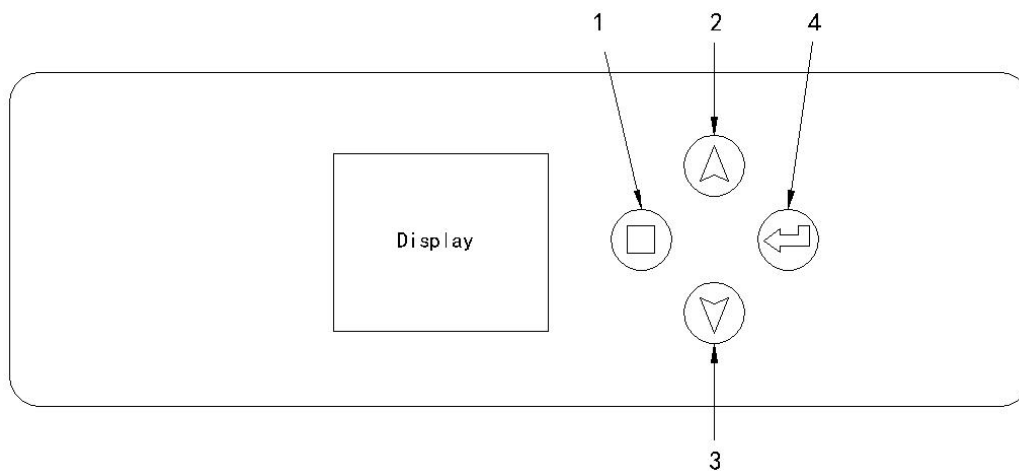


1. Connect a DMX signal line from the controller to the fixture signal input port
2. Connect one DMX signal line to the next fixture from the fixture signal output port
3. The DMX signal line can only be connected in series. In parallel, please use the signal distributor
3. Interspan a terminal resistance between the 2 and 3 feet of the last fixture signal output

RELIABILITY TIPS

- Using a shielded twisted pair designed for RS-485, the connection distance of the signal is generally 150 meters, and a signal amplifier is used for long-distance transmission
- Branch driver (signal in parallel) requires a signal distributor
- A 120 ohm 1 / 4 watt resistance is crossed between the 2 and 3 feet of the last fixture signal output to avoid signal reflection interference, so that the resistance should be connected to the respective terminals

MENU SETTING



1 - MENU 2 - UP 3 - DOWN 4 - ENTER

Key lock: touch the menu button and confirmation button in 3 seconds

MENU DATA

DMX Addr	When the background is red, the address code is added or subtracted by 1. When the background is black, the address code is added or subtracted according to the channel mode.				
Channel Mode	16				
	14				
Run Mode	DMX				
	User				
	Auto				
Manual	Lock Manual Ctrl	No			
		Yes			

	Pan	0-255				
	Tilt	0-255				
	Pan Rot	0-255				
	Color	0-255				
	Strobe	0-255				
	Dimmer	0-255				
	Gobo	0-255				
	Prism	0-255				
	Prism Rot	0-255				
	Frost	0-255				
	Focus	0-255				
Reset	Reset All					
	XPan Tilt					
	Head Reset					
Run Settings	M/S Mode	Slave				
		Master				
	Pan/Tilt Settings	Pan Reverse	No			
			Yes			
		Tilt Reverse	No			
			Yes			
	Dim Curve	Linear				
		Log				
S-Curve						
Square Root						

		Square			
	LED Mode	Standard			
		High Light			
		Silent			
		User Program	Manual	Step01 Step12	Time
	Chn01				
	Chn02				
	Chn03				
	Chn04				
	Chn05				
	Chn06				
	Chn07				
	Chn08				
	Chn09				
	Chn10				
	Chn11				
	Chn12				
	Chn13				
	Chn14				
	DMX Record	Select Step	01--012		
		Time			
		Record			
	Clear	Input PSW			
			Middle		

	If No DMX	Power On	No Effect		
			User		
			Auto		
		Run Time	Keep		
			Shutter Off		
Advanced Settings	Adj Offset	Input PSW	000	PAN	-200-200
				TILT	-200-200
				Color	-200 -200
				Gobos	-200 -200
				Prism 1	-200 -200
				Prism 2	-200-200
				Frost	-200-200
				Focus	-200-200
				Prism 1Half Step	-200-200
				Prism 1 Half Step	-200-200
				Frost Half Step	-200-200
	LCD Display	Sleep	30Sec		
			2min		
			10min		
			No		
		Flip	No		
			Yes		
		Auto Lock	Yes		
			No		

	Ignore Err	Raster Waveform	No				
			Yes				
	Factory Setting	Input PSW					
	Adj Recover	Input PSW					
	Restore Defaults	Input PSW	221				
Device Info	fixture Hours	00000hr					
	Fixture Hours	00000hr					
	Clear fixture Hours	Input PSW	000				
	Head Fan1	0000r/m					
	Head Fan2	0000r/m					
	Head Fan3	0000r/m					
	Laser Temp	000°C					
	Color Wheel Temp	000°C					
	DMX Value	0-255					
	Error						
	Test Mode	Heating Rod		Off			
				On			
		Fan Test			Fan01	0-101%	
					Fan02	0-101%	
Fan03					0-101%		
Fan04					0-101%		
			Fan05	0-101%			

			Fan06	0-101%	
(Lang)	Chinese				
	English				

CHANNEL

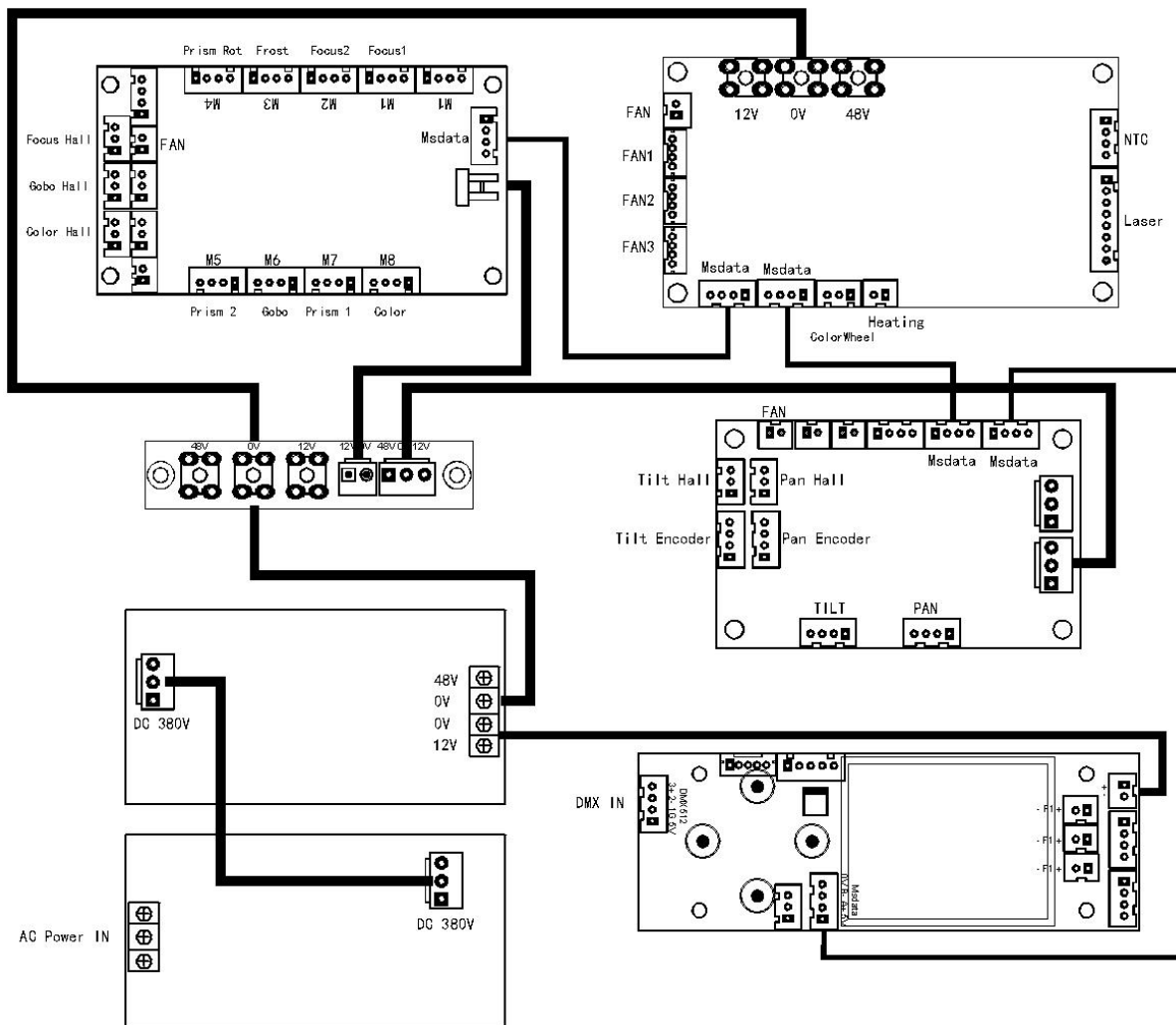
14CH	16CH	FUNCTION	VALUE	
1	1	Color	0--4	WHITE
			5--8	WHITE+RED
			9--12	RED
			13--17	RED+ORANGE
			18--21	ORANGE
			22--25	ORANGE+AQUAMARINE
			26--29	AQUAMARINE
			30--34	AQUAMARINE+GREEN
			35--38	GREEN
			39--42	GREEN+LIGHT GREEN
			43--46	LIGHT GREEN
			47--51	LIGHT GREEN+LAVENDER
			52--55	LAVENDER
			56--59	LAVENDER+PINK
			60--63	PINK
			64--68	PINK+YELLOW
			69--72	YELLOW
			73--76	YELLOW+MAGENTA
			77--81	MAGENTA
			82--85	MAGENTA+CYAN
			86--89	CYAN
			90--93	CYAN+CTO 260
			94--98	CTO 260
			99--102	CTO 260+CTO 190
			103--106	CTO 190
107--110	CTO 190+CTB 8000			
111--115	CTB 8000			
116--119	CTB 8000+BLUE			
120--123	BLUE			
124--127	BLUE+WHITE			
128--255	ROTATION SLOW--FAST			
2	2	Strobe	0--3	CLOSED
			4--103	STROBE SLOW--FAST
			104--107	OPEN

			108--207	PULSATION SLOW--FAST
			208--212	OPEN
			213--251	RANDOM STROBE
			252--255	OPEN
3	3	Dimmer	0--255	DIMMER 0--100%
4	4	Gobo	0--3	OPEN
			4--7	GOBO1
			8--11	GOBO2
			12--15	GOBO3
			16--19	GOBO4
			20--23	GOBO5
			24--27	GOBO6
			28--31	GOBO7
			32--35	GOBO8
			36--39	GOBO9
			40--43	GOBO10
			44--47	GOBO11
			48--51	GOBO12
			52--55	GOBO13
			56--59	GOBO14
			60--63	GOBO15
			64--67	GOBO16
			68--71	GOBO17
			72--75	GOBO18
			76--79	GOBO19
			80--117	ROTATION FAST--SLOW
			118--121	STOP
			122--159	ROTATION SLOW--FAST
			160--165	GOBO2 SHAKE
			166--171	GOBO3 SHAKE
			172--177	GOBO4 SHAKE
			178--183	GOBO5 SHAKE
			184--189	GOBO6 SHAKE
			190--195	GOBO7 SHAKE
			196--201	GOBO9 SHAKE
			202--207	GOBO10 SHAKE
			208--213	GOBO11 SHAKE
214--219	GOBO12 SHAKE			
220--225	GOBO13 SHAKE			
226--231	GOBO15 SHAKE			
232--237	GOBO16 SHAKE			
238--243	GOBO17 SHAKE			
244--249	GOBO18 SHAKE			

			250--255	GOBO19 SHAKE
5	5	Prism	0--63	OPEN
			64--127	PRISM1
			128--191	PRISM2
			192--255	PRISM1+PRISM2
6	6	Prism Rot	0--63	POSITION INDEX
			64--127	CCW FAST--SLOW
			128--191	CW SLOW--FAST
			192--207	ROTATE BACK AND FORTH 90°,SLOW--FAST
			208--223	ROTATE BACK AND FORTH 180°,SLOW--FAST
			224--239	ROTATE BACK AND FORTH 270°,SLOW--FAST
	7	Prism Macro	240--255	ROTATE BACK AND FORTH 360°,SLOW--FAST
			0--15	UNUSED RANGE
			16--55	PRISM 1 FREE SWITCHING,SLOW--FAST
			56--95	PRISM 2 FREE SWITCHING,SLOW--FAST
			96--135	PRISM 1 AND 2 FREE SWITCHING,SLOW--FAST
			136--175	PRISM 1 SELECTION, PRISM 2 FREE SWITCHING,SLOW--FAST
			176--215	PRISM 2 SELECTION, PRISM 1 FREE SWITCHING,SLOW--FAST
216--255	PRISM 1 AND PRISM 2 SWITCH TO EACH OTHER,SLOW--FAST			
7	8	Frost	0--127	OPEN
			128--255	FROST INSERTED
8	9	Focus	0--255	FAR--NEAR
9	10	Pan	0--255	PAN MOVEMENT
10	11	Pan Fine	0--255	PAN MOVEMENT FINE
11	12	Tilt	0--255	TILT MOVEMENT
12	13	Tilt Fine	0--255	TILT MOVEMENT FINE
13	14	Pan Rot	0--127	UNUSED RANGE
			128--189	CCW FAST--SLOW
			190--193	STOP
			194--255	CW SLOW--FAST

14	15	Reset	0--25	UNUSED RANGE
			26--76	EFFECT RESET
			77--127	P/T RESET
			128--255	RESET ALL
	16	Run Mode	0--50	UNUSED RANGE
			51--100	SILENT, STOP FOR 3 SECONDS AND ENABLE
			101--150	STANARD, STOP FOR 3 SECONDS AND ENABLE
			151--200	HIGH LIGT, STOP FOR 3 SECONDS AND ENABLE
			201--255	UNUSED RANGE

CONTROLLING BOARD



REMARK

The product has perfect performance and integrity packing. All users should be strictly comply with the warning

and operating instructions as stated. Or we aren't in charge of any result by misusing.

Any damage resulting by misuse is not within the Company's warranty.

Any fault or problem caused by neglecting the manual is also not in the charge of dealers.

Errors and omissions for every information given in this manual excepted.

All information is subject to change without prior notice.